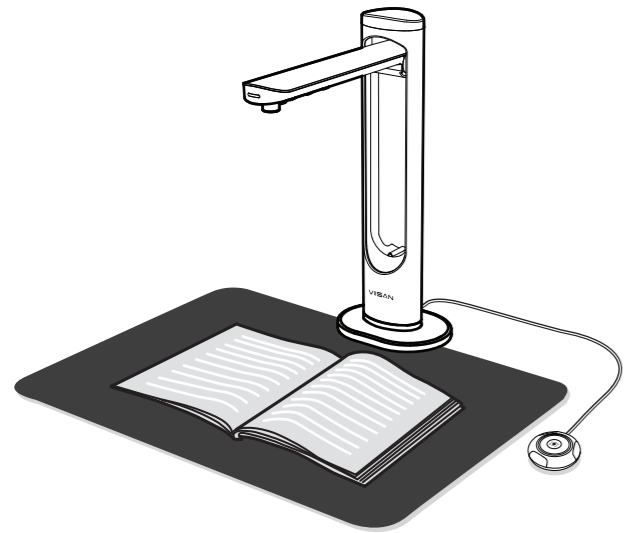


# VIISAN®

## Smart Professional Scanner

### Quick Start Guide



Please read this guide before using the product.

#### Step 1. Instructions

Thank you for purchasing the VIISAN product. This device is a high-quality and easy-to-use overhead book scanner with the laser positioning guide feature for use on desktop and laptop by USB connection. This quick start guide briefly describes the steps to start using this document camera. If you have any technical or service questions about the product, please E-mail our customer service using [info@viisan.com](mailto:info@viisan.com) then we will provide you with service and support.

#### Limited Warranty

This product provides limited warranty continues for one (1) year from the date of purchase.

#### Warranty Exclusions

The following circumstances excluded from warranty coverage:

- Product damage caused by catastrophes, thunder stroke, faulty electric power, and environmental factors.
- Defacing of product labeling (label alterations and falsifying, serial number missing, serial number no longer discernible, serial number invalid). All serial numbers are recorded and tracked for warranty purposes.
- Unauthorized changes of non-parts, modifications or alterations, parts removal in or to the products.
- Damage caused by operator error or operator fails to comply user manual instruction, such as, but not limited to improper storage resulting in product get wet, corrosion, ell off, squeezed or exposed to inadequate temperature/humid environment.
- Accessories or packing material such as boxes, user manual, etc.

#### Safety & Environmental Information

- This device complies with part 15 of the FCC rules and CE certification.
- Discarded electrical and electronic appliances are recyclable and should separate from household waste. Please actively support in conserving resources and protecting the environment by returning this appliance to the collection centers.

#### System Requirements

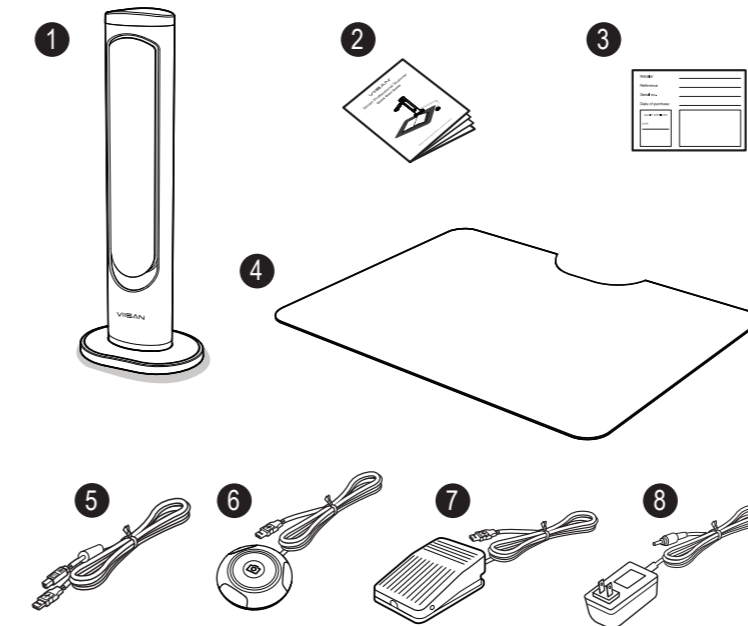
Intel i3 Processor or Higher
USB 2.0 Port
At least 4GB RMB (Recommended 8GB or Higher)
20GB Available HDD Space
Microsoft® Windows® 10、8.1、8、7
macOS® 10.12 or later



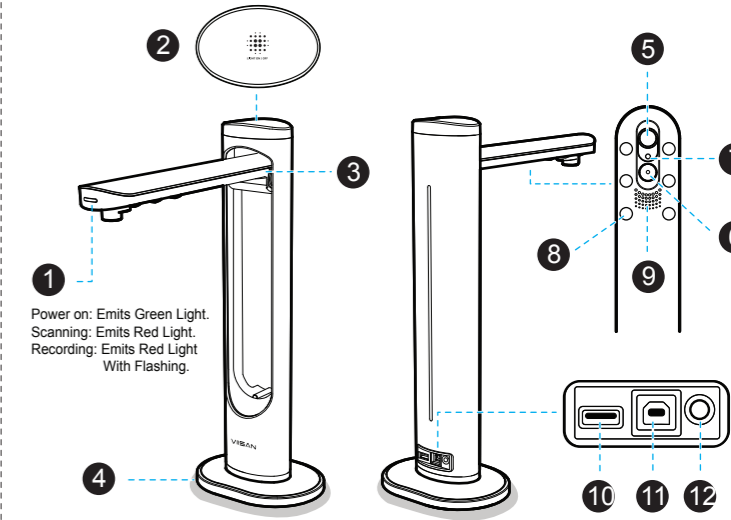
#### Step 2. Unpacking

Before use, make sure the following items are included in the package. If anything is missing, contact the retailer where you purchased the product.

1. Scanner
2. Quick Start Guide
3. Warranty Card
4. Scanning Pad
5. USB Cable
6. Hand Button
7. Foot Pedal
8. Power Adapter



#### Step 3. Parts Descriptions

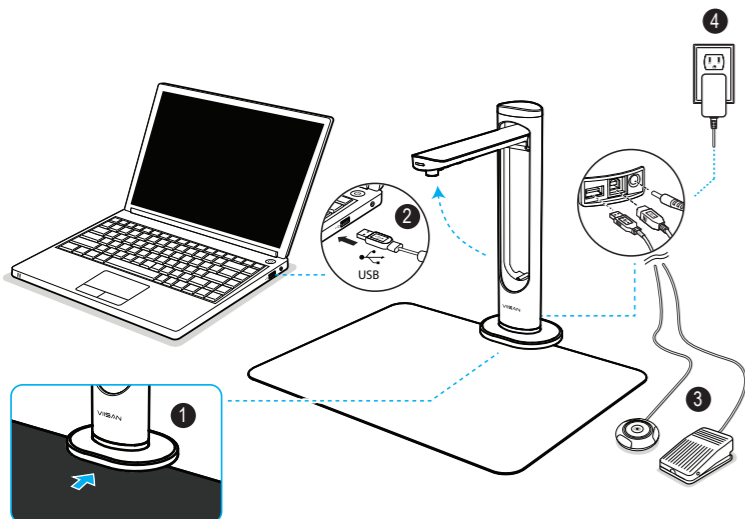


1	LED Indicator
2	LED Touch Switch
3	Foldable Hinge
4	Base
5	Main Lens
6	Second Lens (NOTE: This function is only available for the dual-lens model)
7	Laser Head
8	LED Lamp x 6 pcs
9	Built-in Microphone
10	USB Hub for Hand Button or Foot Pedal Connection
11	USB Socket for PC Connection
12	DC-IN

Power on: Emits Green Light.  
Scanning: Emits Red Light.  
Recording: Emits Red Light With Flashing.

#### Step 4. Hardware Installation

1. Place the scanning pad in front of the scanner and unfolding the scanner arm.
2. Plug the supplied USB cable to the back of the scanner and connect another end into an available USB port on your computer.
3. Plug the supplied external [Hand Button] or [Foot Pedal] into the USB hub on the back of the scanner.
4. Connect supplied Power Adapter to the scanner's DC IN port, and plug the other end to a power outlet.



NOTE: Ensure the scanning pad is in contact with the scanner base.

**WARNING!** Only use the USB cable and the power adapter supplied with scanner, using other power support may induce risk.

#### Step 5. Download and Install the Software

Before using this document camera, please go to the below website to download the exclusive scanning software.



Download and install compatible software according to your operating system.

- VIISAN OfficeCam for Windows
- VIISAN DeskCam for macOS

VIISAN document camera is fully compatible with variety software that support UVC & UAC protocol. For example, you can use it with third-party video conferencing software like Zoom, Microsoft Teams, Google Meet, Skype and more. However, to get the full function of this document camera, we'd recommend you to use it with VIISAN's exclusive scanning software. VIISAN scanning software supports scan documents, books, recognize the barcodes, and record video, you can also use it to recognize the text contents by its OCR function and export result into PDF, Word, and Excel file format.

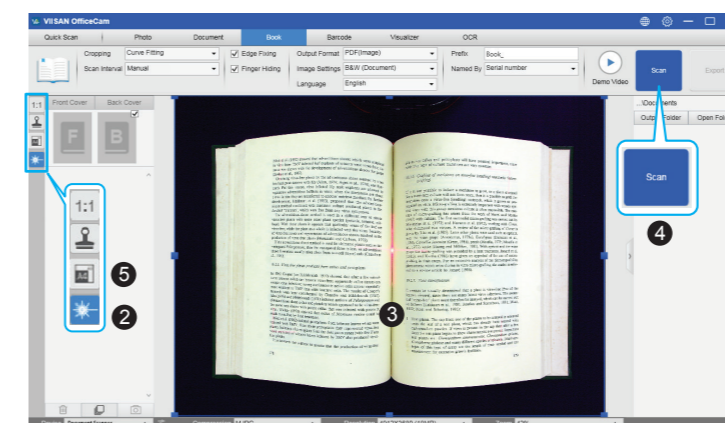
For the more detailed operation about the VIISAN scanning software, you can watch the video tutorials or download user's manual from VIISAN's support center at <https://www.viisan.com/en/support/list.html>



VIISAN Technology Co., Ltd.  
[www.viisan.com/en](http://www.viisan.com/en)  
Customer service: [info@viisan.com](mailto:info@viisan.com)

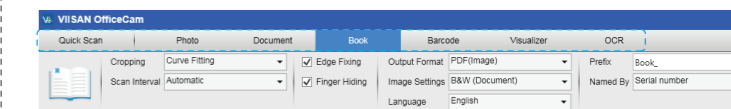
#### Step 6. Getting Started

1. To start the program, please double click on the **VIISAN OfficeCam** software icon on the desktop or click Windows Start Menu to select the VIISAN OfficeCam program.  
\* For the macOS, go Applications folder and click on the **VIISAN DeskCam** app.
2. Click the laser icon on the toolbar to turning on the laser positioning.
3. Place an open book facing up on the scanning pad and then align the center of the opened book with the laser positioning + mark.
4. Select the [Book] function tab from the main menu and then click [Scan] button to scan a page. You can also enable the software page-turning detection feature to execute the auto scanning, when the scanner detects a page is turned, the software will automatically start continuous scanning.
5. You can also switch the A3 and A4-lens by clicking the icon on the toolbar.  
NOTE: This feature is only enabled on the device that supports the dual-lens function.



#### Step 7. Software Functions

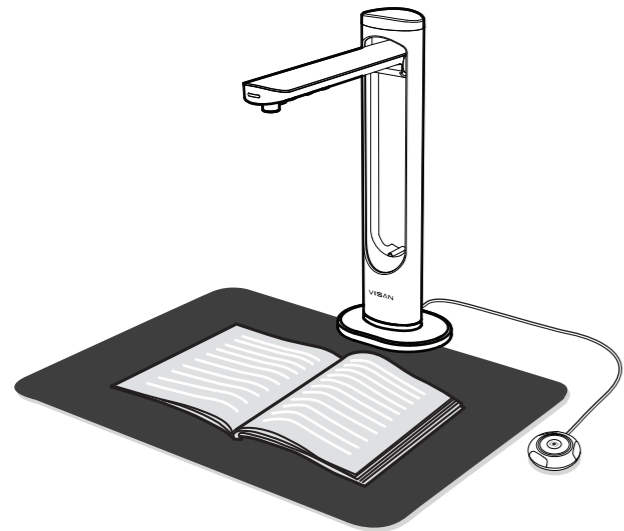
VIISAN scanning software provides the following scanning functions. You can select a function mode by clicking the menu tab.  
NOTE: The following is an example of the Windows version software, the actual software functions will vary depending on the operating system.



Mode	icons	Description
Quick Scan		The quick scan function allows setting a quick scan button with a specific function.
Photo		The photo mode function allows you to take a snapshot by using the camera scanner device and save them into a BMP, JPG, PNG, or TIFF file format.
Document		The Document mode is used for scan documents, business cards, ID cards or any paper sheets, this function tab embedded a powerful image processing algorithms, such as repairing the damaged edges of documents or rotating pages based on text orientation, it allows scanning to a JPEG or PDF file directly, even creating OCR and then converting scanned files into editable Word/Text/Excel formats.
Book		The book mode is used to scan books or magazines. This function embedded a powerful image processing, such as automatic scanning, flattening curved pages, erasing finger images, purify background, and split page.
Barcode		The Barcode mode is for scanning and recognizing the barcode or QR code then saving results into JPEG/Text/Excel /PDF.
Visualizer		The visualizer function allows recording video tutorials or sharing your laptop screen with connected a projector or a HDTV.
OCR		The OCR function allows to convert a batch scanned images into a searchable PDF or editable Word, Excel, and Text formats, it supports more than 100 different languages.

VIISAN®

## 专业级智能拍摄仪 快速安装指南



使用前请先阅读此使用指南

### 步骤1. 产品介绍

感谢您购买VIISAN维山拍摄仪，该设备是款专业书本级扫描仪具有内建激光定位标功能其可透过USB连接桌机或笔记本电脑，此快速入门指南提供简要介绍如何开始使用此拍摄仪产品。如果您对该款产品有任何技术或服务问题，请通过info@viisan.com向我们的客户服务发送电子邮件，我们将为您提供服务和支持。

#### 产品质保

本产品提供一年保固从购买日期开始。

#### 非质保范围

下列情形不在质保范围内：

- 因天灾、地变、雷击、异常电压、环境因素而发生之故障或毁损者。
- 重贴、伪造变造产品序号条码，或条码遭毁损而无法辨识保固期限者。
- 自行或委托未经原厂授权维修之厂商拆卸、改装或更换非原厂零件。
- 未按使用手册规定操作或因人为不当使用而造成损坏者：包括但不限于不当之放置致产品浸水、腐蚀、掉落、挤压或露在异常之温度、湿度环境下。
- 产品本体以外支付配件：如纸盒、说明书，传输线材等....附配件。

#### 安全及规范

- 本产品符合中国国家标准CCC 认证规范，请安心使用。
- 本产品上有此标志表示电子或电器设备使用寿命结束后，必须将它和一般废弃物分开处理。请积极支持节约能源和环境保护，依照当地资源回收的分类方式回收。



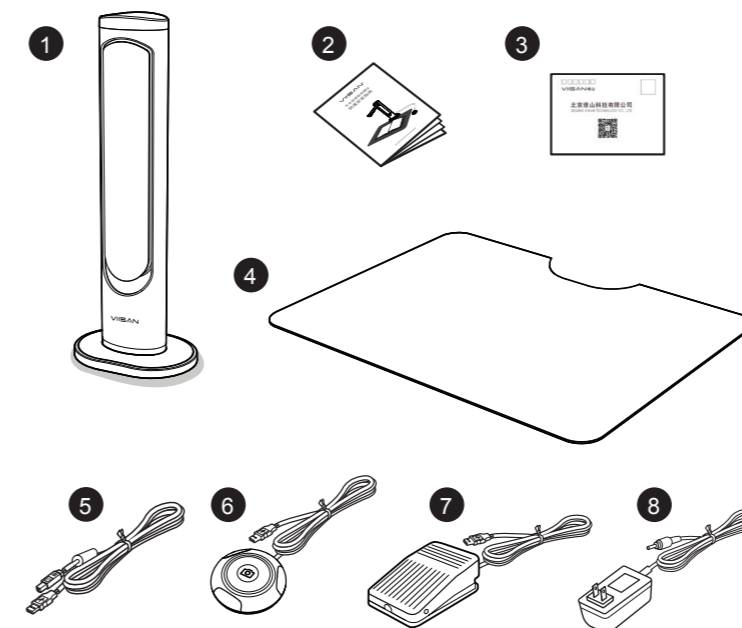
#### 系统要求

Intel i3处理器或更高
USB 2.0端口
至少4GB RMB (建议使用8GB或更高)
4GB可用硬盘空间
Microsoft®Windows®10、8.1、8、7 (32位或64位)
macOS® 10.12 或更高

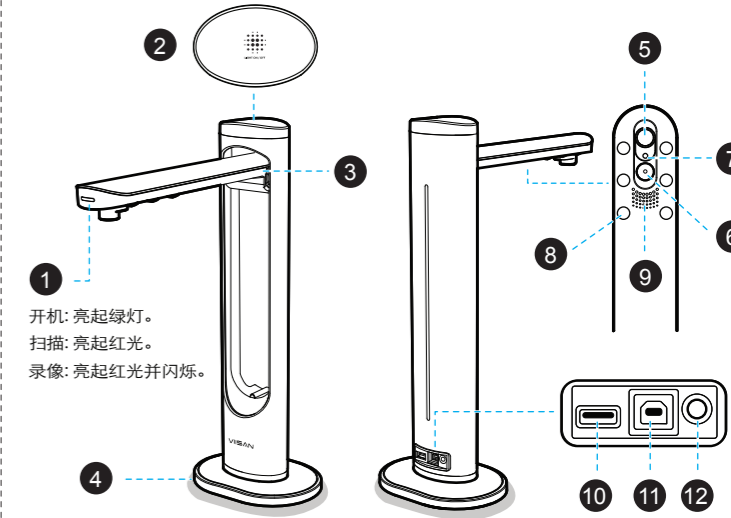
### 步骤2. 开箱包装

使用前，请确保包装内容中有包含以下物品，如果任何内容配件遗漏，请联系您所购买此产品的商家。

1. 智能拍摄仪
2. 快速安装指南
3. 保修卡
4. 扫描软垫
5. USB线
6. 手动按钮
7. 脚踏板
8. 电源适配器



### 步骤3. 部件说明

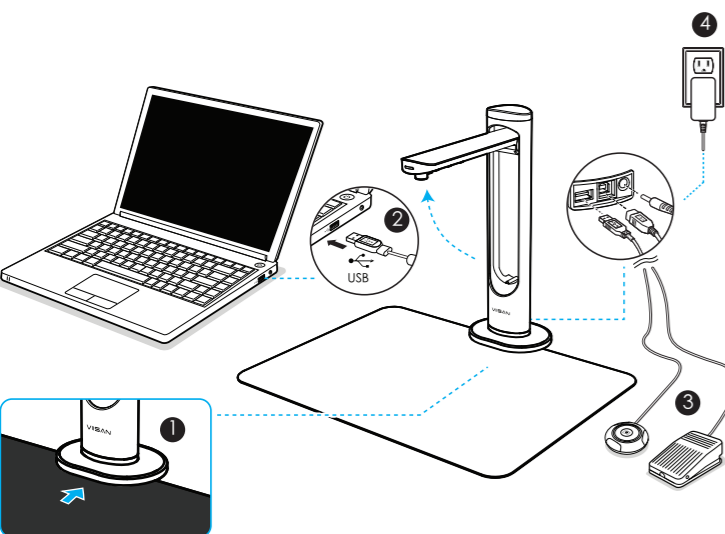


1 开机：亮起绿灯。  
2 扫描：亮起红光。  
3 录像：亮起红光并闪烁。

1	LED指示灯号
2	LED触碰开关
3	折合关节
4	底座
5	主摄像头
6	第二摄像头（注意：此功能仅适用于双镜头型号机种）
7	激光发射头
8	LED灯号x 6个
9	内置麦克风
10	USB扩展端口（适用于手按钮或脚踏板连接）
11	USB连线端口（适用于PC连接）
12	电源输入

### 步骤4. 硬件安装

1. 将扫描垫放在拍摄仪前面，然后展开扫描盖关节。
2. 将随附的USB电缆插入扫描仪的背面连线端口，另外将另一端连接到电脑上可用的USB端口。
3. 将随附的外接[手按钮]或[脚踏板]插入拍摄仪背面的USB 拓展端口。
4. 将随附的电源适配器连接到拍摄仪的DC IN端口，并将另一端插入电源插座。



注意：确保扫描垫与扫描仪底座接触。

警告！仅使用随附的USB传输线和电源适配器，使用其他传输线及电源适配器可能会引起危险。

### 步骤5. 下载及安装软件

在使用此扫描仪前，请到以下VIISAN网址下载专属兼容的软件。



根据您的操作系统下载并安装兼容软件

- OfficeCam (维山闪拍) 适用于微软系统
- DeskCam 适用于苹果系统

VIISAN维山扫描仪支持各类UVC 和 UAC 协议标准软件。您可以将其与其它第三方视频会议软件一起使用。例如：Zoom, Microsoft Teams, Google Meet, Skype, 腾讯会议, 钉钉会议等。若要获得此拍摄仪的全部功能，我们建议您使用维山专属扫描软件，维山扫描软件支持文档及书籍扫描、识别条码、录制视频，您还可以透过内建OCR 功能识别各类文本内容并转成Word, PDF, Excel 等格式。

有关扫描软件更详细操作说明，您可以至以下VIISAN 官网下服务中心观看视频教程或下载用户手册 <https://www.viisan.com/en/support/list.html>

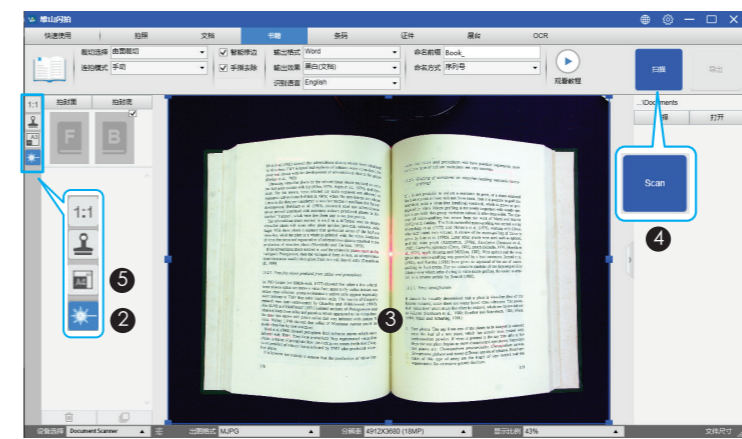


北京维山科技有限公司  
www.viisan.com  
客户服务邮箱: info@viisan.com

### 步骤6. 启动软件

1. 要启动该扫描程序，请双击桌面上的维山闪拍软件图标，或单击 Windows [开始]菜单中直接选择VIISAN OfficeCam程序。  
\* 苹果电脑用户，请至应用程序文件夹下单击 VIISAN DeskCam 应用程序。
2. 单击软件左侧工具栏上的激光图标 打开激光定位标功能。
3. 将一本打开的书朝上放在扫描板上，然后将打开的书的中心与激光定位+标记对齐。
4. 从软件上方主菜单中选择[书籍]功能选项卡，然后单击[扫描]按钮以扫描书页。您也可以透过软件中自动扫描选项设置启用翻页检测功能。然后点选[开始]按钮启动自动拍照功能，当拍摄仪检测到翻页时，软件将自动开始连续扫描。
5. 您也可以透过单击左侧工具栏工上的图标 来切换A3和A4镜头。

注意：A3和A4镜头切换功能仅支持于双镜头型号机种。



### 步骤7. 软件功能

维山闪拍软件提供以下几种扫描模块，您可以通过单击顶部选项卡来选择一种功能模式来进行您要的扫描内容。  
\* 以下为Windows 版本软件范例，实际软件功能会以操作系统不同而有所差异。



模式	图标	功能描述
快速使用		快速扫描模式下可依喜好来设置特定快速功能扫描按钮。
拍照		拍照功能模块下可允许您使用该拍摄仪设备拍摄图片并将其保存为BMP, JPG, PNG或TIFF等图片格式。
文档		文档功能模块下可用于扫描文档，名片，ID卡证件或任何纸张，此模式提供了多种图像处理算法，例如：修复文档的损坏边缘或根据文本方向将文件转正，该扫描模块下可将文档扫描到JPEG档或直接扫描生成PDF文件档，同时可以搭配内建的OCR功能将扫描的文件转换为可编辑的Word / Text / Excel或可检索PDF格式。
书籍		书籍模式用于扫描书籍或杂志，此模式提供了多种图像处理算法，例如：自动扫描，书本曲面展平，底色净化，擦除手指图像并在左右分页。其支持多种格式输出，如：PDF, EPUB, Word 等格式。
条码		条形码模式用于扫描和识别1维条形码或2维码，期可以将扫描识别结果保存到JPEG / Text / Excel / PDF。
证件		证件功能模式用于扫描身份证及识别证件内容，此功能可以用于行业柜台运用。
展台		视屏展台功能可适用教学或商务演示运用，此可以搭配投影机或连接大屏投放拍摄内容，其可搭配内建的白板工具，例如：加标示线条，局部放大，画面冻结以利帮助您阅读书籍，杂志或文档等。
OCR		此OCR功能允许将批量扫描的图像转换为可搜索的PDF或可编辑的Word, Excel和文本格式，其支持100多种不同的语言。